

B-Meters Hydrosonis-ULC

Part Code	Name	Size	QP (m3/h)	Output
BM015HM	15MM HYDROSONIS-ULC Ultrasonic Heat Meter MBus	15	1.5	MBUS
BM016HM	15MM Hydrosonis Ultrasonic wMBus Heat Meter	15	1.5	WIRELESS MBUS

Ultrasonic thermal energy meter designed to measure heating and cooling. It can be used for commercial metering of energy consumption for local heating systems: in dwelling houses, office buildings, energy plants and similar applications.

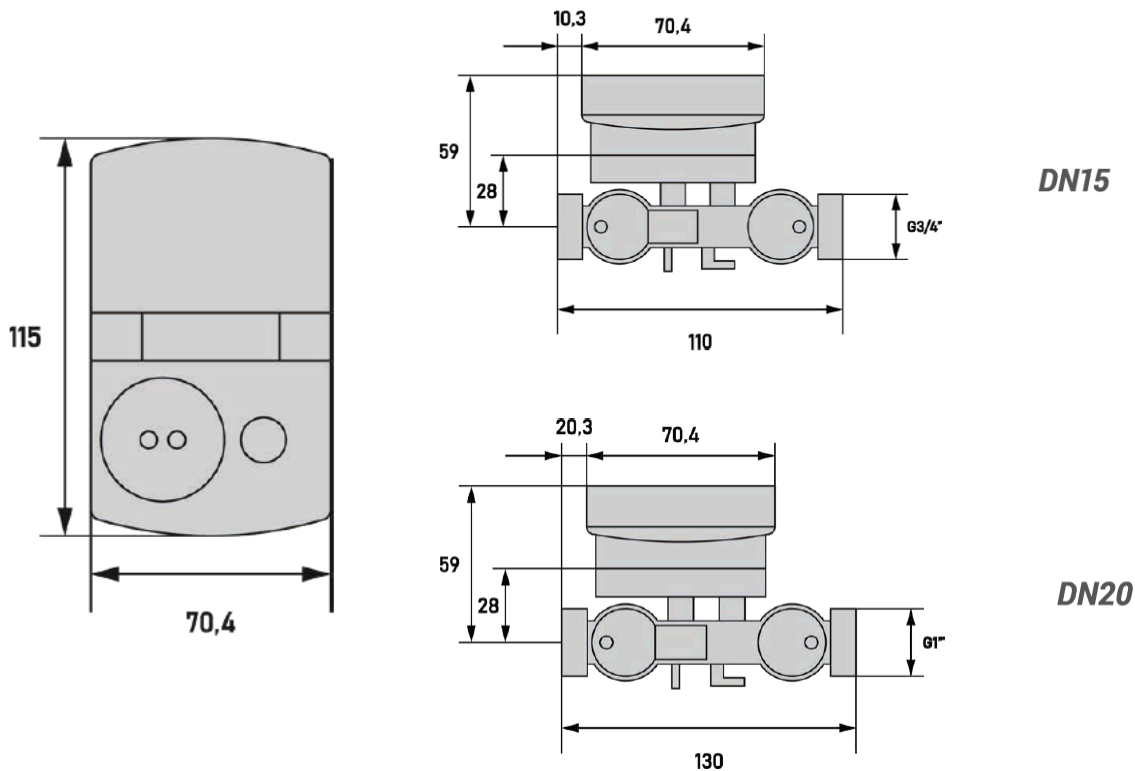
- Ultrasonic principle used for flow measurement.
- Heating and cooling energy accumulated in separate registers.
- Compact and removable electronic unit.
- 24 monthly values including mid-month values.
- All installation possible without any restriction.
- Available with M-Bus or M-BUS wireless output communication interface.



Technical Features

Protection Class	IP54
Accuracy class	2-3 (EN 1434)
Energy units	KWh / MWh or MJ / GJ
Interface type	7-digit LCD screen
Cable length	1.5 m
Storage temperature	-20 ÷ +60 °C
Temperature range	0 ÷ +105 °C
Ambient temperature	+5 ÷ + 55 °C
Temperature difference	3 K ÷ 80 K
Power supply	Battery (11 years lifetime)
Data Logger features	Storage for 24 monthly values including mid-month values.

Dimensions



Managed Services

Meter Data Management

Billing Solutions

PAYG Management

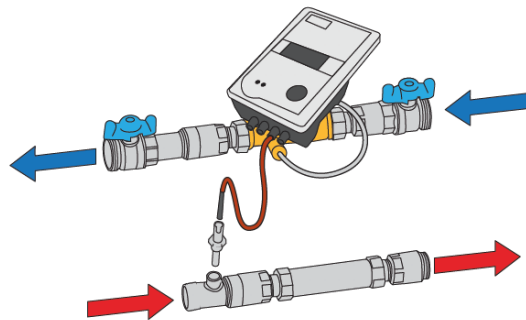
Online Account Management

sycous.com

Technical Data							
DN	Nominal flow rate Qp, m ³ /h	Maximum flow rate QS, m ³ /h	Minimum flow rate Qi, m ³ /h	Operating limit, l/h	Length mm	Pressure loss at Qp, mbar	Thread connection
15	0,6	1,2	0,006	1,2	110	75	G3/4"
15	1,5	3,0	0,015	3	110	135	G3/4"
20	2,5	5,0	0,025	5	130	165	G1"

Flange ISO 7005-2 / EN 1092 PN 16

Threading EN ISO 228-1:2003



Standard version for installation on the return pipe. Version for installation on the flow pipe available upon request.



Data
Collection

Wired
Networks

Wireless
Networks

IoT
Technologies

MBus & Pulse for
any network

sycous.com